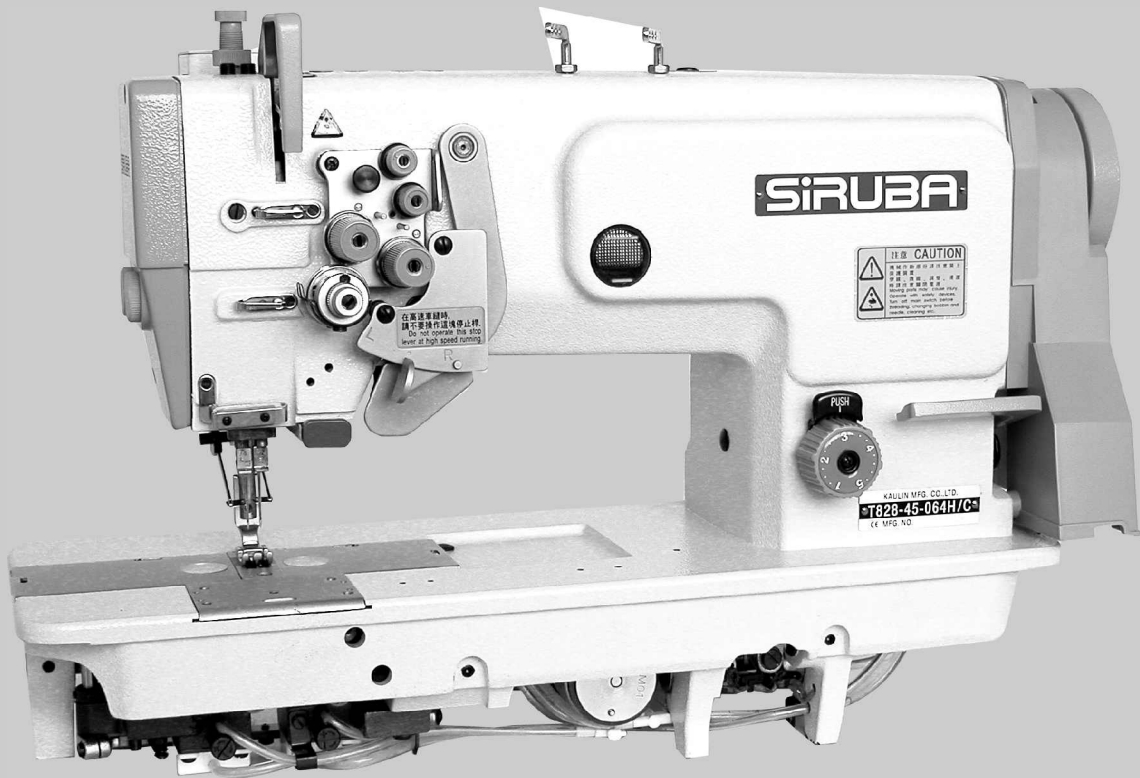


# SIRUBA®

銀箭牌工業用縫紉機  
INDUSTRIAL SEWING MACHINE

# T828/T828 WITH TRIMMER

## 零件圖 PARTS LIST



CE

 高林股份有限公司  
KAULIN MFG. CO., LTD.

									
MODEL	OPERATING PANEL	SUB-CLASS	NEEDLE PLATE	FEED DOG	NEEDLE CLAMP	PRESSER FOOT	HOOK	BOBBIN	NEEDLE
機 型	操作盒	規 格	針 板	下送具	針 釧	押 具	旋 梭	梭 子	針 號
T828-42-032ML		1/8"(3.2)	E734	D734/P	M734	P734/S	G161	G307	DPX5#14
T828-42-048ML		3/16"(4.8)	E736	D736/P	M736	P736/S	G161	G307	DPX5#14
T828-42-064ML		1/4"(6.4)	E730	D730/P	M730	P730/S	G161	G307	DPX5#14
T828-42-032M		1/8"(3.2)	E734	D734/P	M734	P734/S	G162-A (G162+G406)	G307	DPX5#14
T828-42-048M		3/16"(4.8)	E736	D736/P	M736	P736/S	G162-A (G162+G406)	G307	DPX5#14
T828-42-064M		1/4"(6.4)	E730	D730/P	M730	P730/S	G162-A (G162+G406)	G307	DPX5#14
T828-42-032HL		1/8"(3.2)	E762	D734/P	M734	P734/S	G167	G307	DPX5#22
T828-42-048HL		3/16"(4.8)	E761	D736Q	M736	P736/S	G167	G307	DPX5#22
T828-42-064HL		1/4"(6.4)	E760	D730Q	M730	P730/S	G167	G307	DPX5#22
T828-42-032H		1/8"(3.2)	E762	D734/P	M734	P734/S	G162-A (G162+G406)	G307	DPX5#22
T828-42-048H		3/16"(4.8)	E761	D736Q	M736	P736/S	G162-A (G162+G406)	G307	DPX5#22
T828-42-064H		1/4"(6.4)	E760	D730Q	M730	P730/S	G162-A (G162+G406)	G307	DPX5#22
T828-42-032ML/C	C300M-A2	1/8"(3.2)	E754	D754	M734	P754/S	G163	G307	DPX5#14
T828-42-048ML/C	C300M-A2	3/16"(4.8)	E766	D766	M736	P766/S	G163	G307	DPX5#14
T828-42-064ML/C	C300M-A2	1/4"(6.4)	E745	D745	M730	P745/S	G163	G307	DPX5#14
T828-42-032M/C	C300M-A2	1/8"(3.2)	E754	D754	M734	P754/S	G164-A (G164+G406)	G307	DPX5#14
T828-42-048M/C	C300M-A2	3/16"(4.8)	E766	D766	M736	P766/S	G164-A (G164+G406)	G307	DPX5#14
T828-42-064M/C	C300M-A2	1/4"(6.4)	E745	D745	M730	P745/S	G164-A (G164+G406)	G307	DPX5#14

規格件表 CONVERSION CHART-1

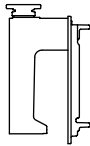
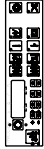


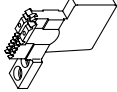
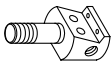
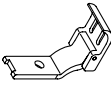



# 規格件表 CONVERSION CHART-2

MODEL	OPERATING PANEL	SUB-CLASS	NEEDLE PLATE	FEED DOG	NEEDLE CLAMP	PRESSER FOOT	HOOK	BOBBIN	NEEDLE
機 型	操作盒	規 格	針 板	下送具	針 釗	押 具	旋 梭	梭 子	針 號
T828-42-032HL/C	C300M-A2	1/8"(3.2)	E788	D788	M734	P754/S	G163	G307	DPX5#22
T828-42-048HL/C	C300M-A2	3/16"(4.8)	E787	D787	M736	P766/S	G163	G307	DPX5#22
T828-42-064HL/C	C300M-A2	1/4"(6.4)	E786	D786	M730	P745/S	G163	G307	DPX5#22
T828-42-032H/C	C300M-A2	1/8"(3.2)	E788	D788	M734	P754/S	G164-A (G164+G406)	G307	DPX5#22
T828-42-048H/C	C300M-A2	3/16"(4.8)	E787	D787	M736	P766/S	G164-A (G164+G406)	G307	DPX5#22
T828-42-064H/C	C300M-A2	1/4"(6.4)	E786	D786	M730	P745/S	G164-A (G164+G406)	G307	DPX5#22
T828-42-127KL/C	C301-A	1/2"(12.7)	E763	D763	M763	P763	G163	G307	DPX5#14
T828-45-032M		1/8"(3.2)	E762	D734/P	M0032R M0032L	P734/S	G169-A (G169+G409)	G307	DPX5#14
T828-45-048M		3/16"(4.8)	E761	D736/P	M0048R M0048L	P736/S	G169-A (G169+G409)	G307	DPX5#14
T828-45-064M		1/4"(6.4)	E760	D730/P	M0064R M0064L	P730/S	G169-A (G169+G409)	G307	DPX5#14
T828-45-032H		1/8"(3.2)	E762	D734/P	M0032R M0032L	P734/S	G169-A (G169+G409)	G307	DPX5#22
T828-45-048H		3/16"(4.8)	E761	D736Q	M0048R M0048L	P736/S	G169-A (G169+G409)	G307	DPX5#22
T828-45-064H		1/4"(6.4)	E760	D730Q	M0064R M0064L	P730/S	G169-A (G169+G409)	G307	DPX5#22
T828-45-032M/C	C300M-A2	1/8"(3.2)	E788	D754	M0032R M0032L	P754/S	G170-A (G170+G410)	G307	DPX5#14
T828-45-048M/C	C300M-A2	3/16"(4.8)	E787	D766	M0048R M0048L	P766/S	G170-A (G170+G410)	G307	DPX5#14
T828-45-064M/C	C300M-A2	1/4"(6.4)	E786	D745	M0064R M0064L	P745/S	G170-A (G170+G410)	G307	DPX5#14
T828-45-032H/C	C300M-A2	1/8"(3.2)	E788	D788	M0032R M0032L	P754/S	G170-A (G170+G410)	G307	DPX5#22
T828-45-048H/C	C300M-A2	3/16"(4.8)	E787	D787	M0048R M0048L	P766/S	G170-A (G170+G410)	G307	DPX5#22

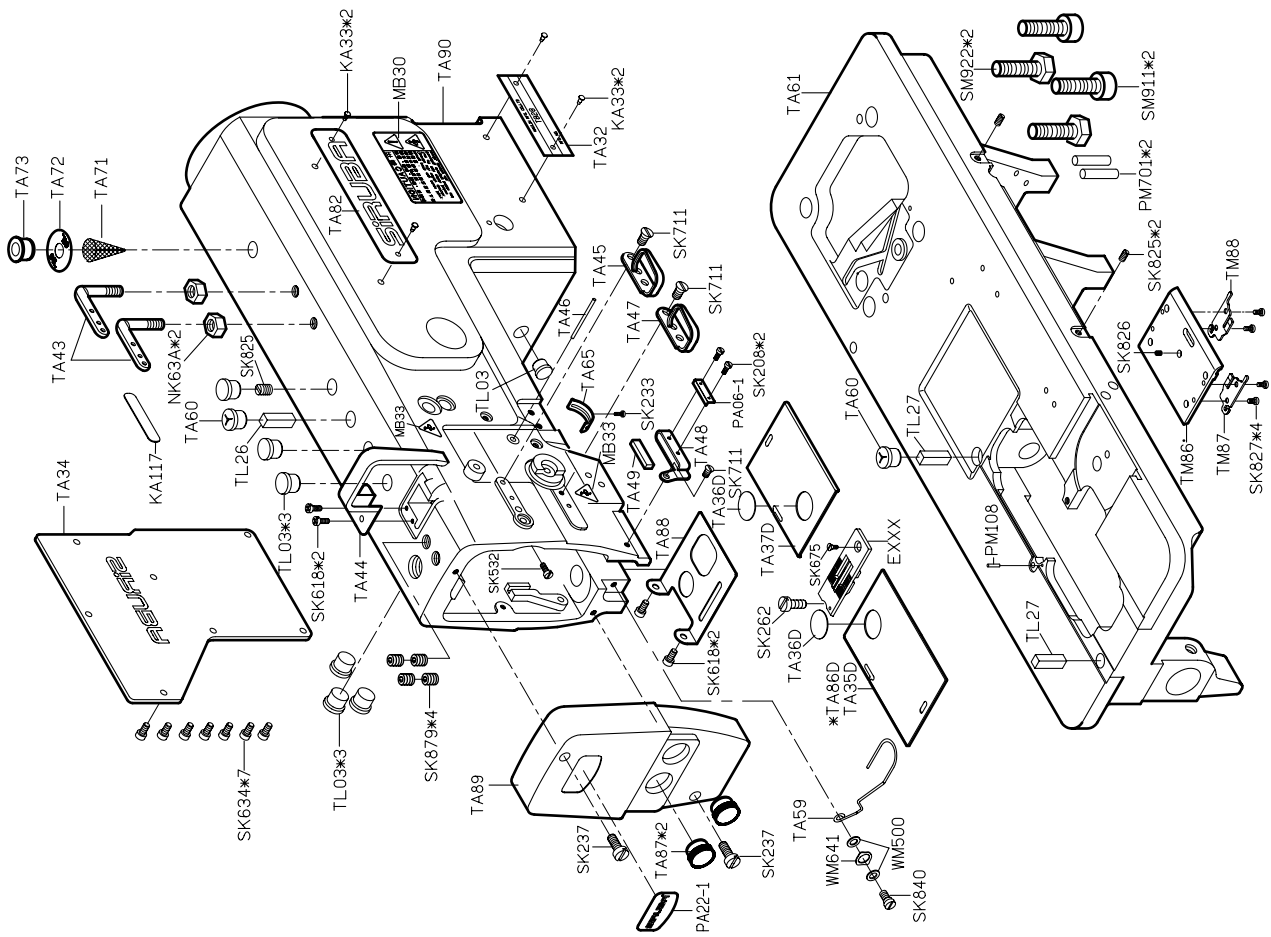
									
MODEL	OPERATING PANEL	SUB-CLASS	NEEDLE PLATE	FEED DOG	NEEDLE CLAMP	PRESSER FOOT	HOOK	BOBBIN	NEEDLE
機 型	操作盒	規 格	針 板	下送具	針 釗	押 具	旋 梭	梭 子	針 號
T828-45-064H/C	C300M-A2	1/4"(6.4)	E786	D786	M0064R M0064L	P745/S	G170-A (G170+G410)	G307	DPX5#22
T828-47-032LL		1/8"(3.2)	E791	D791	M734	P791/S	G161	G307	DPX5#11
T828-47-048LL		3/16"(4.8)	E790	D790	M736	P790/S	G161	G307	DPX5#11
T828-47-064LL		1/4"(6.4)	E789	D789	M730	P789/S	G161	G307	DPX5#11
T828-47-032L		1/8"(3.2)	E791	D791	M734	P791/S	G162-A (G162+G406)	G307	DPX5#11
T828-47-048L		3/16"(4.8)	E790	D790	M736	P790/S	G162-A (G162+G406)	G307	DPX5#11
T828-47-064L		1/4"(6.4)	E789	D789	M730	P789/S	G162-A (G162+G406)	G307	DPX5#11
T828-47-032LL/C	C300M-A2	1/8"(3.2)	E794	D794	M734	P791A	G163	G307	DPX5#11
T828-47-048LL/C	C300M-A2	3/16"(4.8)	E793	D793	M736	P790A	G163	G307	DPX5#11
T828-47-064LL/C	C300M-A2	1/4"(6.4)	E792	D792	M730	P789A	G163	G307	DPX5#11
T828-47-032L/C	C300M-A2	1/8"(3.2)	E794	D794	M734	P791A	G164-A (G164+G406)	G307	DPX5#11
T828-47-048L/C	C300M-A2	3/16"(4.8)	E793	D793	M736	P790A	G164-A (G164+G406)	G307	DPX5#11
T828-47-064L/C	C300M-A2	1/4"(6.4)	E792	D792	M730	P789A	G164-A (G164+G406)	G307	DPX5#11
T828-48-032L		1/8"(3.2)	E791	D791	M0032R M0032L	P791/S	G169-A (G169+G409)	G307	DPX5#11
T828-48-048L		3/16"(4.8)	E790	D790	M0048R M0048L	P790/S	G169-A (G169+G409)	G307	DPX5#11
T828-48-064L		1/4"(6.4)	E789	D789	M0064R M0064L	P789/S	G169-A (G169+G409)	G307	DPX5#11
T828-48-032L/C	C300M-A2	1/8"(3.2)	E794	D794	M0032R M0032L	P791A	G170-A (G170+G410)	G307	DPX5#11
T828-48-048L/C	C300M-A2	3/16"(4.8)	E793	D793	M0048R M0048L	P790A	G170-A (G170+G410)	G307	DPX5#11

# 規格件表 CONVERSION CHART-4

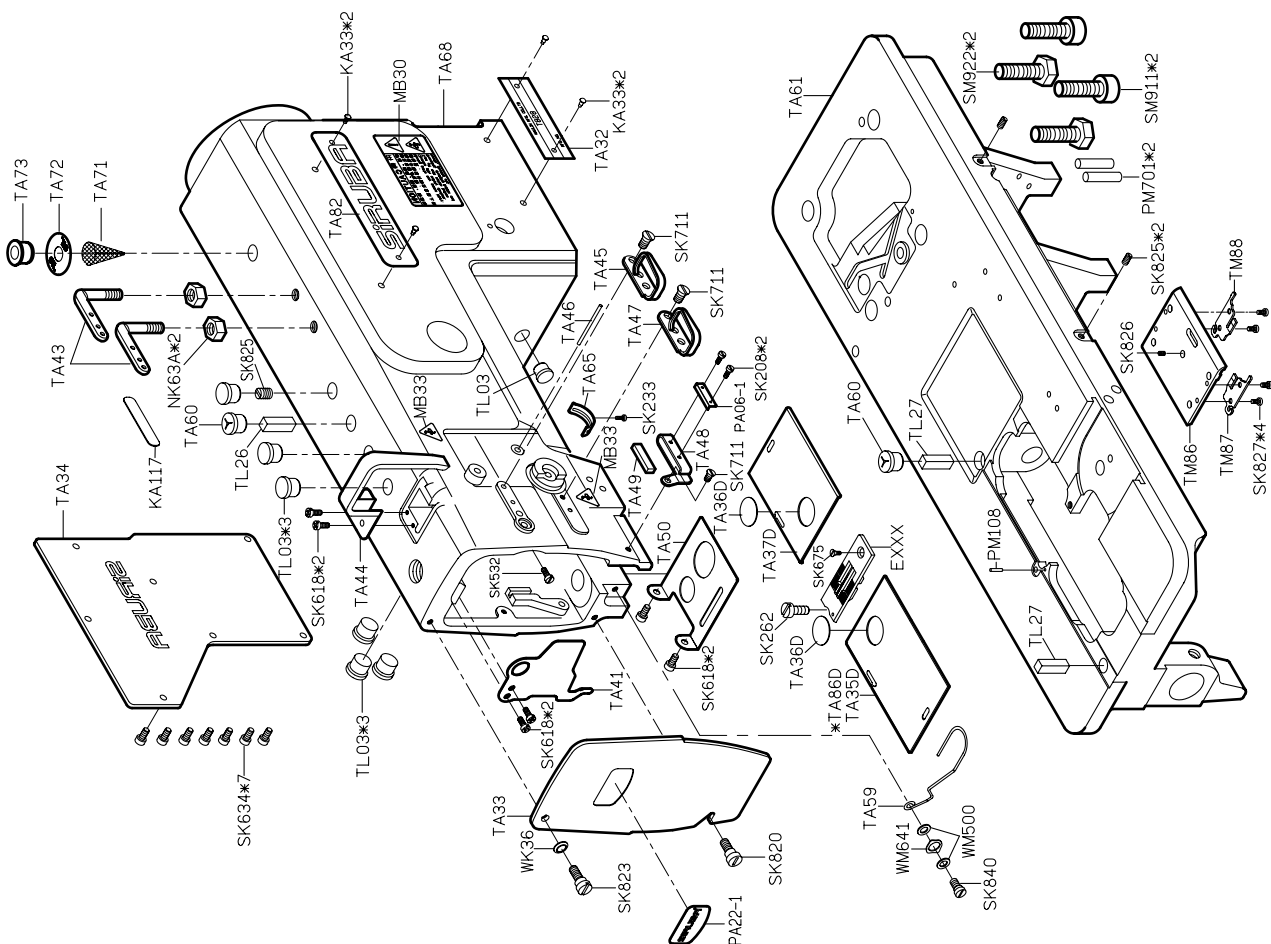
機 型	MODEL	OPERATING PANEL 操作盒	SUB-CLASS 規 格	NEEDLE PLATE 針 板	FEED DOG 下送具	NEEDLE CLAMP 針 釧	PRESSER FOOT 押 具	HOOK	BOBBIN	NEEDLE 針 號
T828-48-064L/C	C300M-A2		1/4" (6.4)	E792	D792	M0064R M0064L	P789A	G170-A (G170+G410)	G307	DPX5#11
T828-72-032ML			1/8" (3.2)	E762	D734/P	M734	P762/S	G165	G310	DPX5#14
T828-72-048ML			3/16" (4.8)	E761	D736/P	M736	P761/S	G165	G310	DPX5#14
T828-72-064ML			1/4" (6.4)	E760	D730/P	M730	P760/S	G165	G310	DPX5#14
T828-72-032HL			1/8" (3.2)	E762	D734/P	M734	P762/S	G165	G310	DPX5#22
T828-72-048HL			3/16" (4.8)	E761	D736Q	M736	P761/S	G165	G310	DPX5#22
T828-72-064HL			1/4" (6.4)	E760	D730Q	M730	P760/S	G165	G310	DPX5#22
T828-72-032M/C	C300M-A2		1/8" (3.2)	E788	D754	M734	P762/S	G168-A (G168+G411)	G310	DPX5#14
T828-72-048M/C	C300M-A2		3/16" (4.8)	E787	D766	M736	P761/S	G168-A (G168+G411)	G310	DPX5#14
T828-72-064M/C	C300M-A2		1/4" (6.4)	E786	D745	M730	P760/S	G168-A (G168+G411)	G310	DPX5#14
T828-72-032H/C	C300M-A2		1/8" (3.2)	E788	D788	M734	P762/S	G168-A (G168+G411)	G310	DPX5#22
T828-72-048H/C	C300M-A2		3/16" (4.8)	E787	D787	M736	P761/S	G168-A (G168+G411)	G310	DPX5#22
T828-72-064H/C	C300M-A2		1/4" (6.4)	E786	D786	M730	P760/S	G168-A (G168+G411)	G310	DPX5#22
T828-75-032M			1/8" (3.2)	E762	D734/P	M0032R M0032L	P762/S	G166-A (G166+G407)	G310	DPX5#14
T828-75-048M			3/16" (4.8)	E761	D736/P	M0048R M0048L	P761/S	G166-A (G166+G407)	G310	DPX5#14
T828-75-064M			1/4" (6.4)	E760	D730/P	M0064R M0064L	P760/S	G166-A (G166+G407)	G310	DPX5#14
T828-75-032H			1/8" (3.2)	E762	D734/P	M0032R M0032L	P762/S	G166-A (G166+G407)	G310	DPX5#22
T828-75-048H			3/16" (4.8)	E761	D736Q	M0048R M0048L	P761/S	G166-A (G166+G407)	G310	DPX5#22

									
MODEL	OPERATING PANEL	SUB-CLASS	NEEDLE PLATE	FEED DOG	NEEDLE CLAMP	PRESSER FOOT	HOOK	BOBBIN	NEEDLE
機 型	操作盒	規 格	針 板	下送具	針 釗	押 具	旋 梭	梭 子	針 號
T828-75-064H		1/4"(6.4)	E760	D730Q	M0064R M0064L	P760/S	G166-A (G166+G407)	G310	DPX5#22
T828-75-032M/C	C300M-A2	1/8"(3.2)	E788	D754	M0032R M0032L	P762/S	G168-A1 (G168+G408)	G310	DPX5#14
T828-75-048M/C	C300M-A2	3/16"(4.8)	E787	D766	M0048R M0048L	P761/S	G168-A1 (G168+G408)	G310	DPX5#14
T828-75-064M/C	C300M-A2	1/4"(6.4)	E786	D745	M0064R M0064L	P760/S	G168-A1 (G168+G408)	G310	DPX5#14
T828-75-032H/C	C300M-A2	1/8"(3.2)	E788	D788	M0032R M0032L	P762/S	G168-A1 (G168+G408)	G310	DPX5#22
T828-75-048H/C	C300M-A2	3/16"(4.8)	E787	D787	M0048R M0048L	P761/S	G168-A1 (G168+G408)	G310	DPX5#22
T828-75-064H/C	C300M-A2	1/4"(6.4)	E786	D786	M0064R M0064L	P760/S	G168-A1 (G168+G408)	G310	DPX5#22

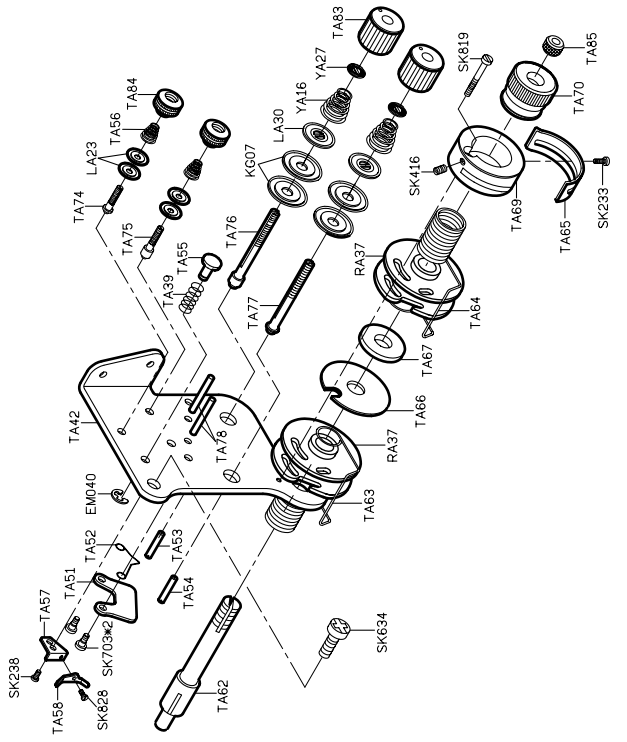
PARTS LIST FOR TA GROUP



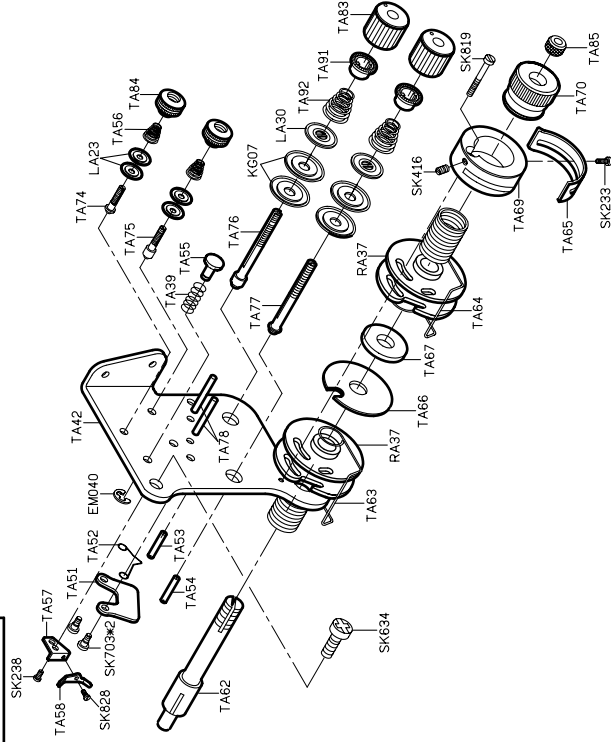
PARTS LIST FOR TA GROUP



TA42-A



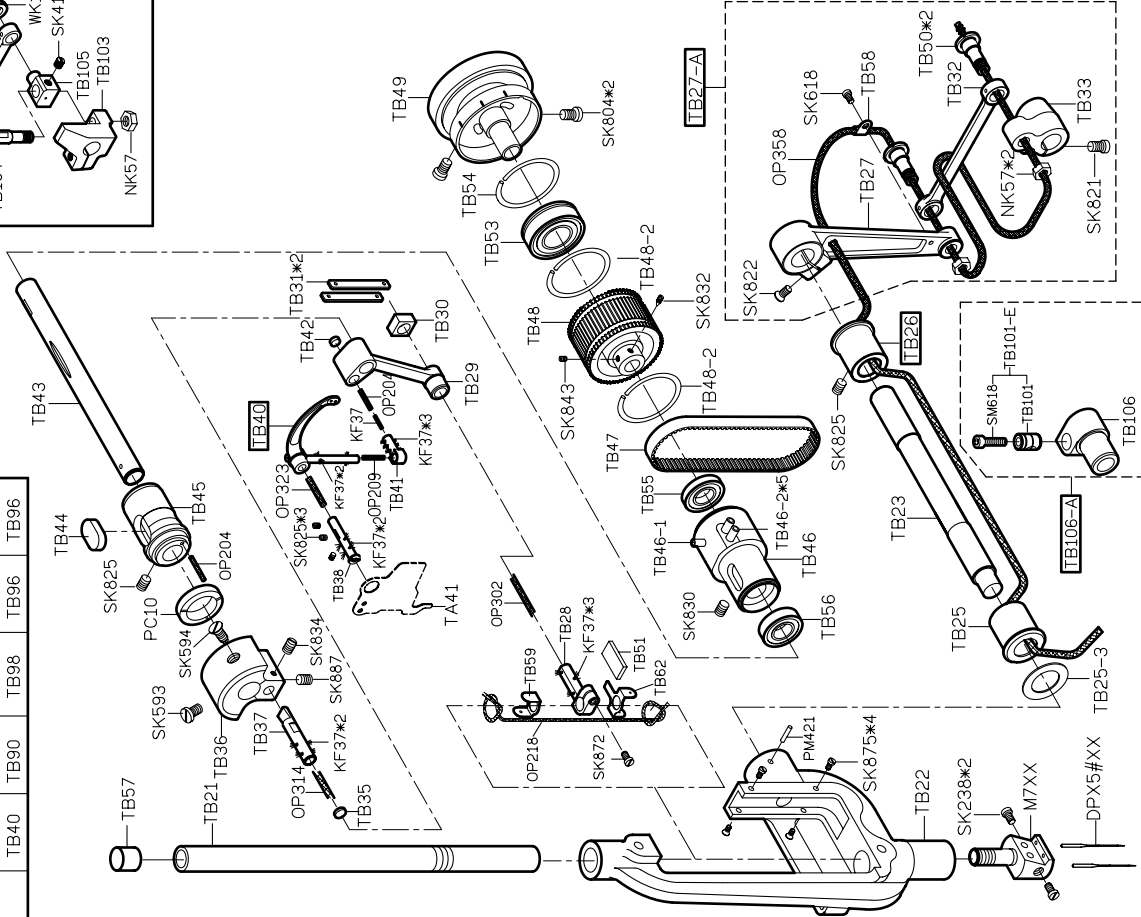
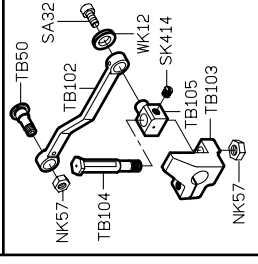
TA91-A (FOR T828-47/48)



PARTS LIST FOR TA GROUP

MODEL	T828-42			T828-47			T828-72		
	M	H	L	M	H	L	M	H	L
PARTS NO.	TB26	TB26	TB106-A	TB26	TB26	TB106-A	TB26	TB26	TB26
	TB27-A	TB27-A	TB27-A	TB27-A	TB27-A	TB27-A	TB27-A	TB27-A	TB27-A
	TB40	TB90	TB98	TB96	TB96	TB96	TB96	TB96	TB96

下送及針送更換用

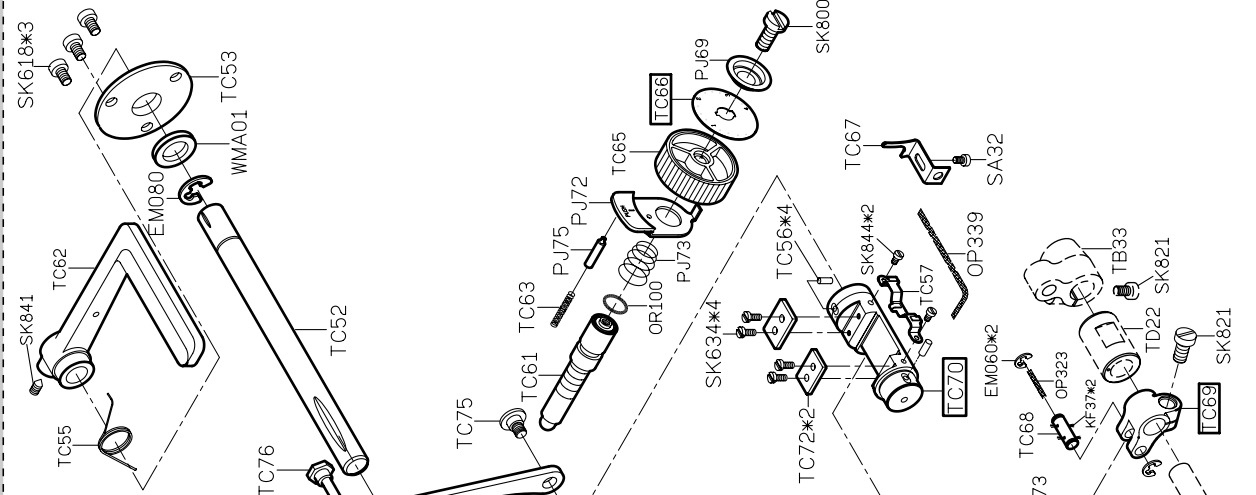


PARTS LIST FOR TB GROUP



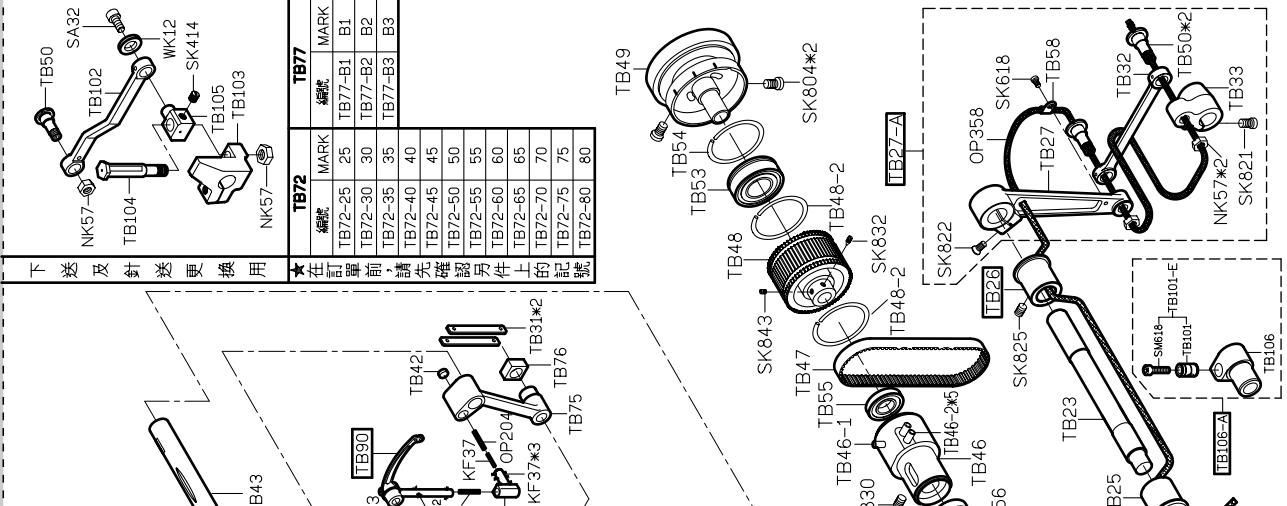
PARTS LIST FOR TC GROUP

MODEL	T828-42			T828-45			T828-72			T828-75		
	M	H	M	M	H	M	M	H	M	M	H	
PARTS NO	TC50	TC50	TC50	TC50	TC50	TC50	TC50	TC50	TC50	TC50	TC50	
	TC66	TC66	TC66	TC66	TC66	TC66	TC66	TC66	TC66	TC66	TC66	
	TC68	TC68	TC68	TC68	TC68	TC68	TC68	TC68	TC68	TC68	TC68	
	TC70	TC70	TC70	TC70	TC70	TC70	TC70	TC70	TC70	TC70	TC70	
	TC78	TC78	TC78	TC78	TC78	TC78	TC78	TC78	TC78	TC78	TC78	



PARTS LIST FOR TB GROUP

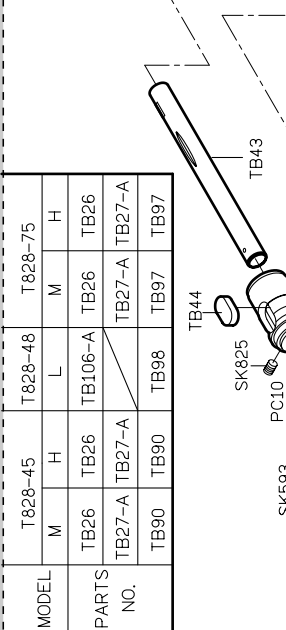
MODEL	T828-45			T828-48			T828-75		
	M	H	M	L	M	H	M	H	
PARTS NO.	TB26	TB26	TB26	TB106-A	TB26	TB26	TB27-A	TB27-A	
	TB27-A	TB27-A	TB27-A	TB27-A	TB27-A	TB27-A	TB27-A	TB27-A	
	TB90	TB90	TB90	TB98	TB97	TB97	TB97	TB97	
	TB97	TB97	TB97	TB97	TB97	TB97	TB97	TB97	



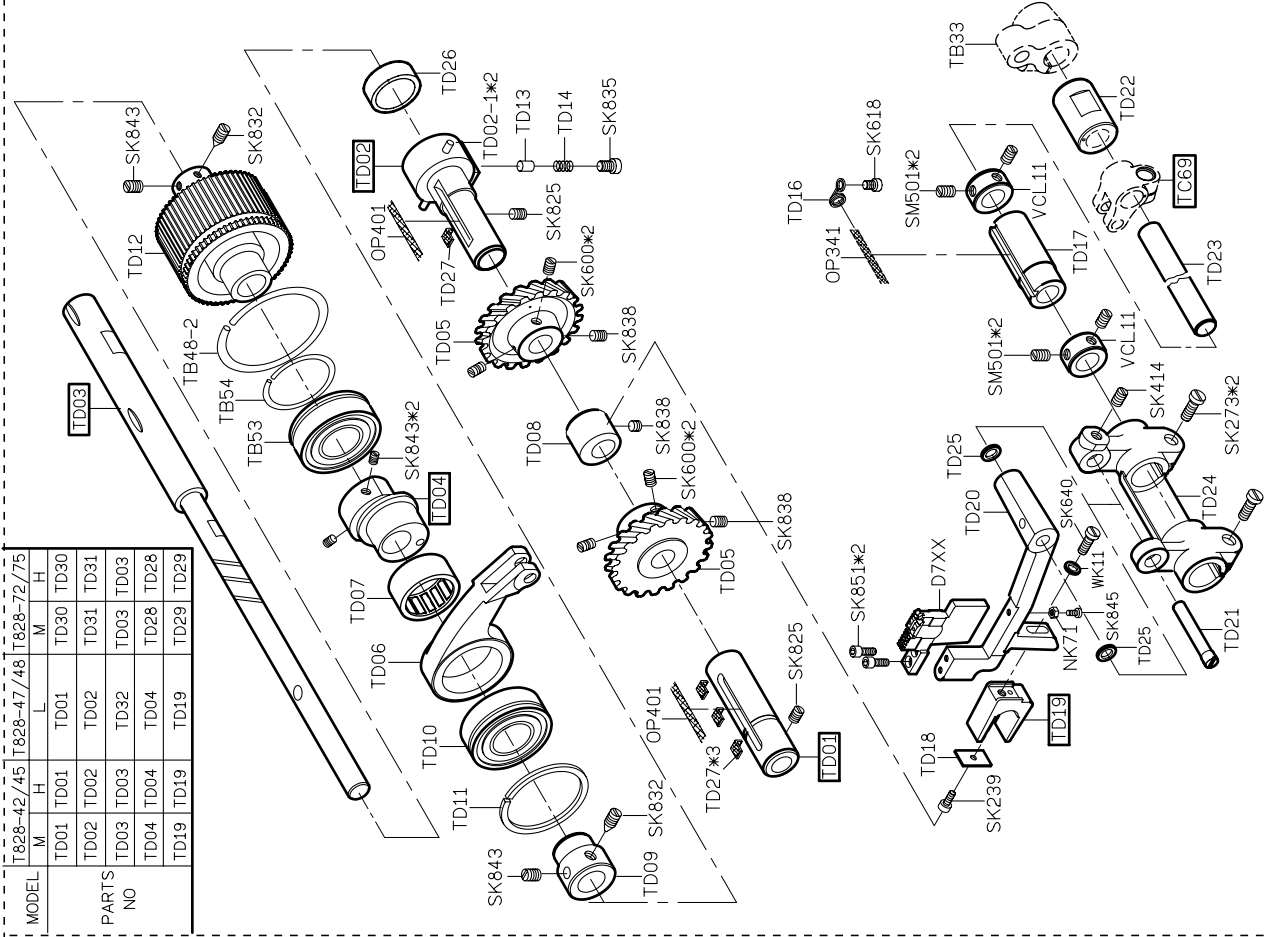
TB72	MARK	MARK	MARK
TB72-25	25	TB77-B1	B1
TB72-30	30	TB77-B2	B2
TB72-35	35	TB77-B3	B3
TB72-40	40		
TB72-45	45		
TB72-50	50		
TB72-55	55		
TB72-60	60		
TB72-65	65		
TB72-70	70		
TB72-75	75		
TB72-80	80		

下送及針送更換用

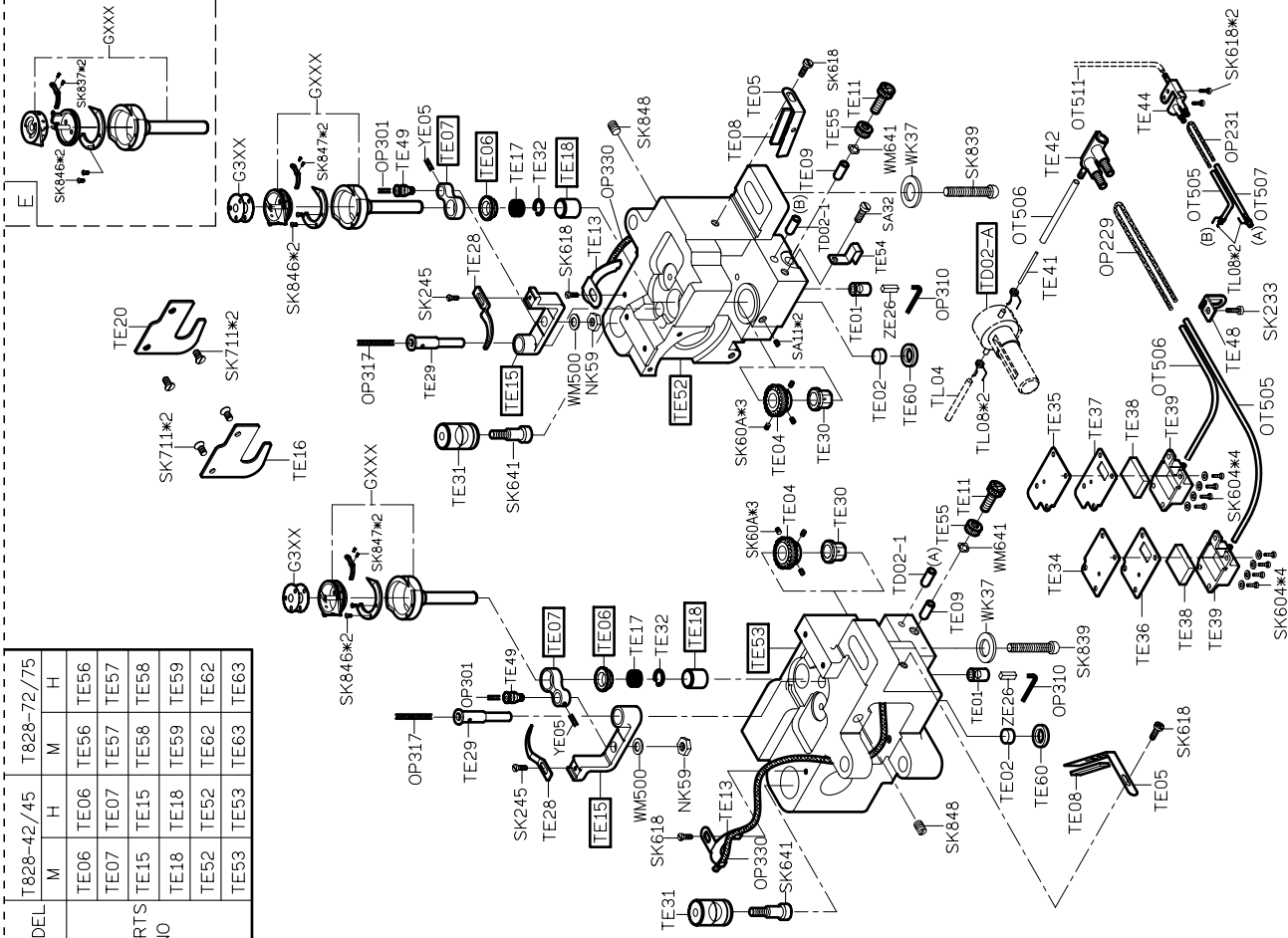
★在訂購前請先確認另件上的記號



MODEL	T828-42/45			T828-47/48			T828-72/75		
	M	H	L	M	H	L	M	H	L
PARTS NO	TD01	TD01	TD01	TD01	TD30	TD30	TD01	TD30	TD30
	TD02	TD02	TD02	TD02	TD31	TD31	TD02	TD31	TD31
	TD03	TD03	TD03	TD03	TD03	TD03	TD03	TD03	TD03
	TD04	TD04	TD04	TD04	TD28	TD28	TD04	TD28	TD28
	TD19	TD19	TD19	TD19	TD29	TD29	TD19	TD29	TD29



MODEL	T828-42/45			T828-72/75		
	M	H	L	M	H	L
PARTS NO	TE06	TE06	TE06	TE56	TE56	TE56
	TE07	TE07	TE07	TE57	TE57	TE57
	TE15	TE15	TE15	TE58	TE58	TE58
	TE18	TE18	TE18	TE59	TE59	TE59
	TE52	TE52	TE52	TE62	TE62	TE62
	TE53	TE53	TE53	TE63	TE63	TE63



## PARTS LIST FOR TD GROUP

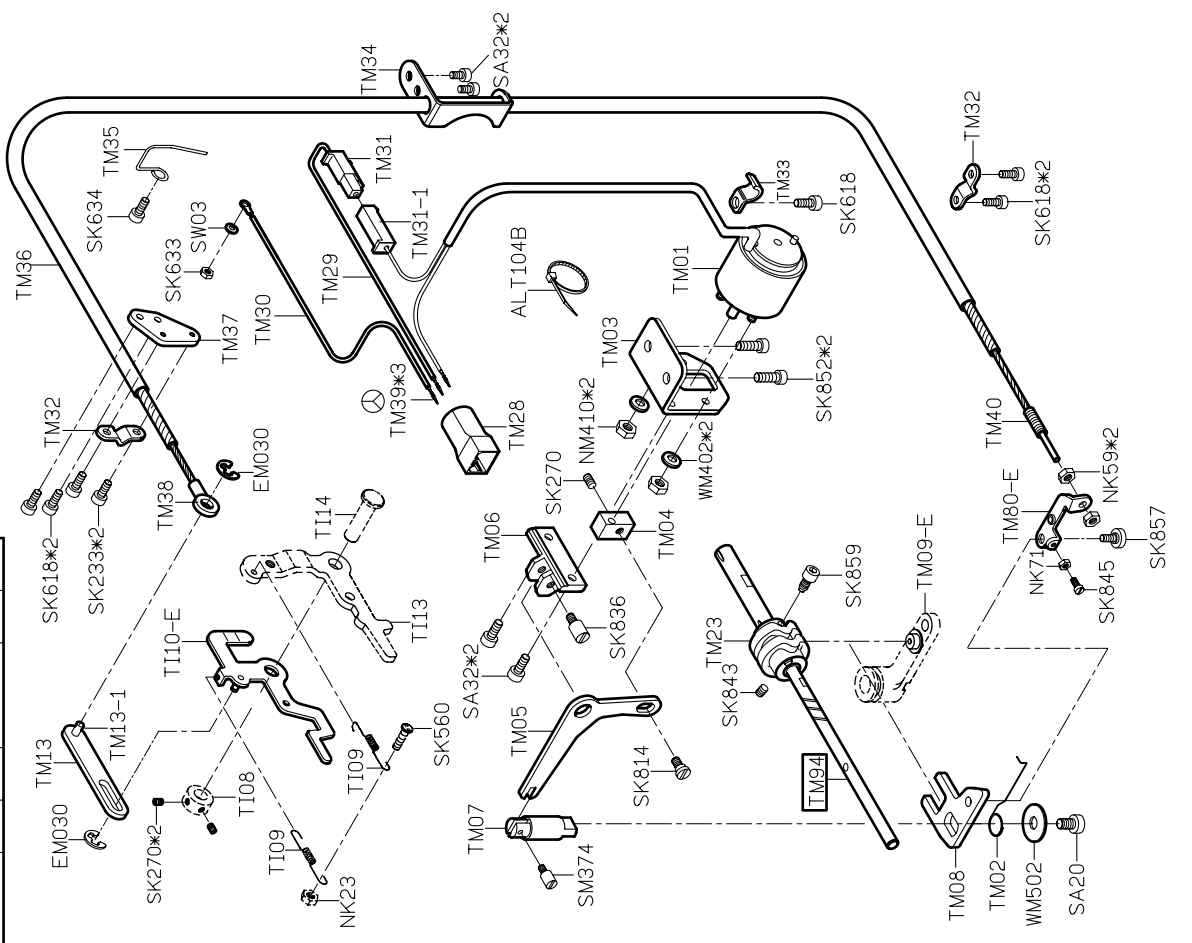
## PARTS LIST FOR TE GROUP



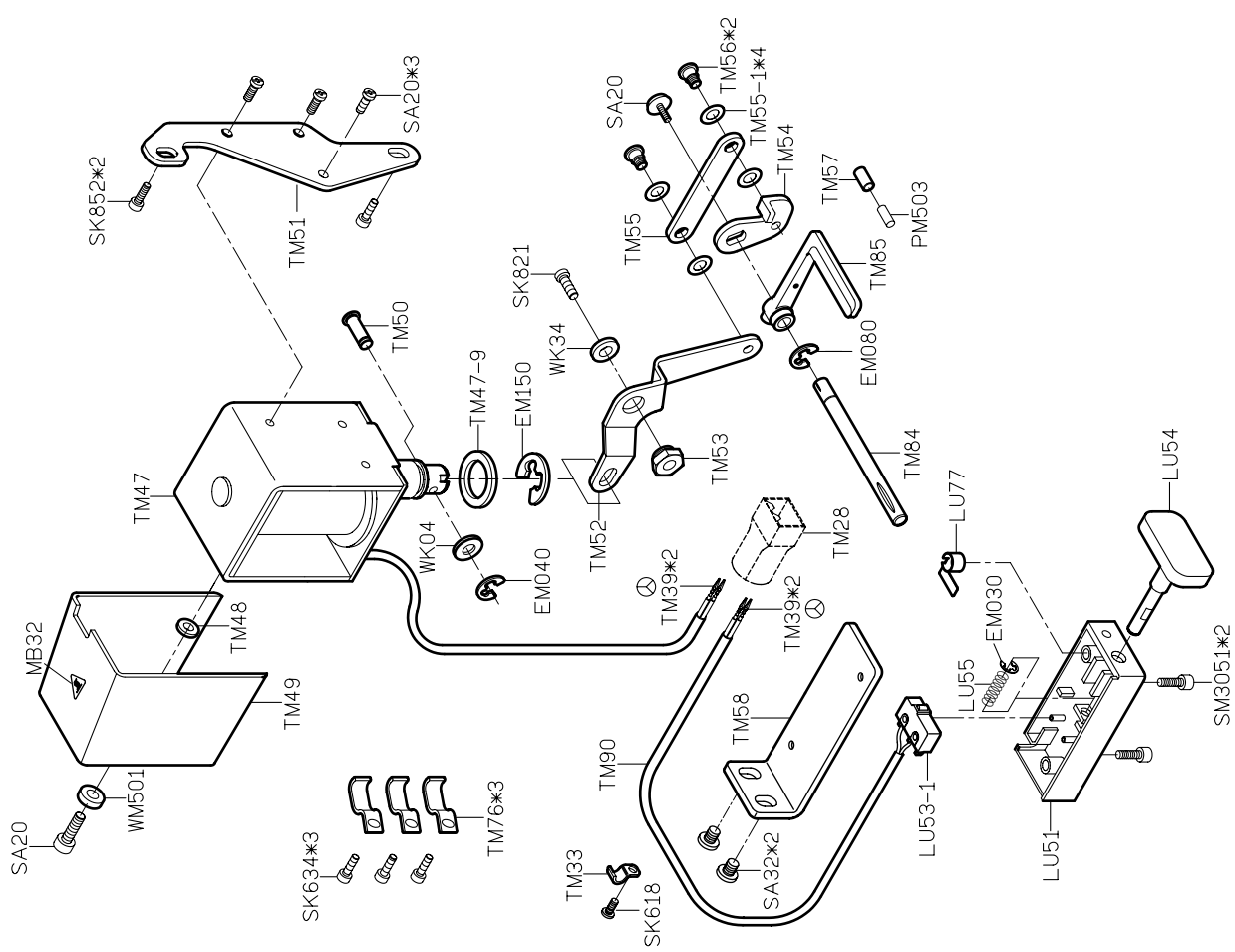


# PARTS LIST FOR TM GROUP

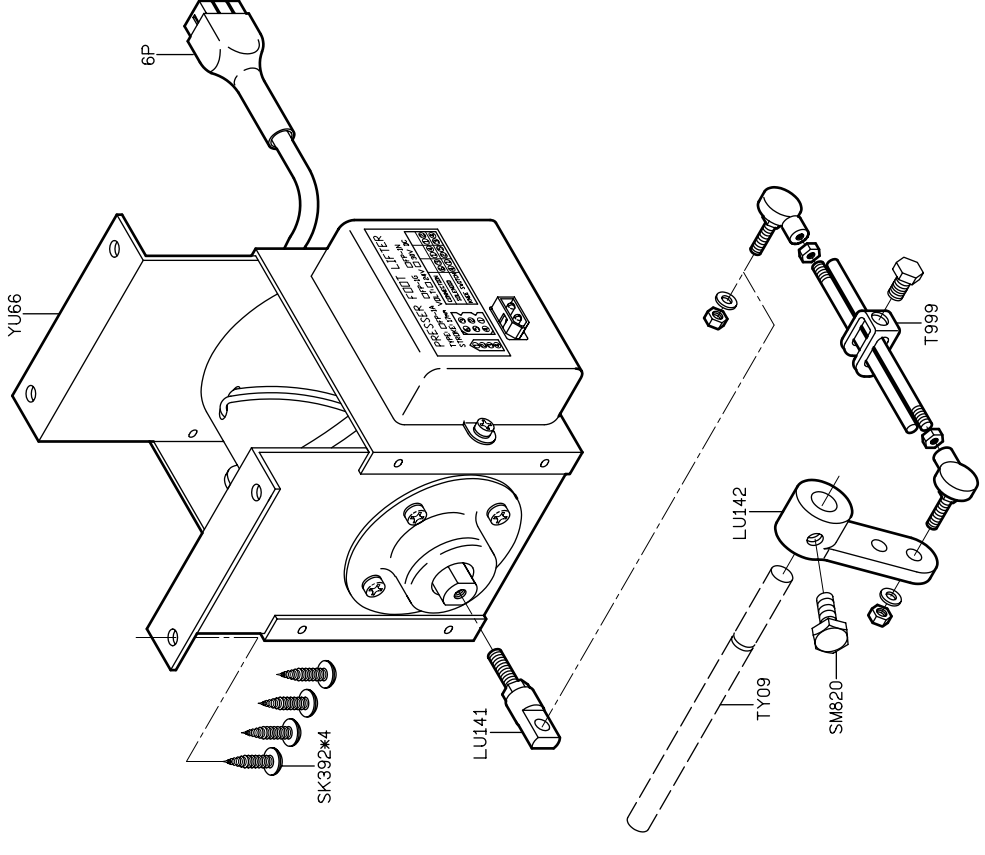
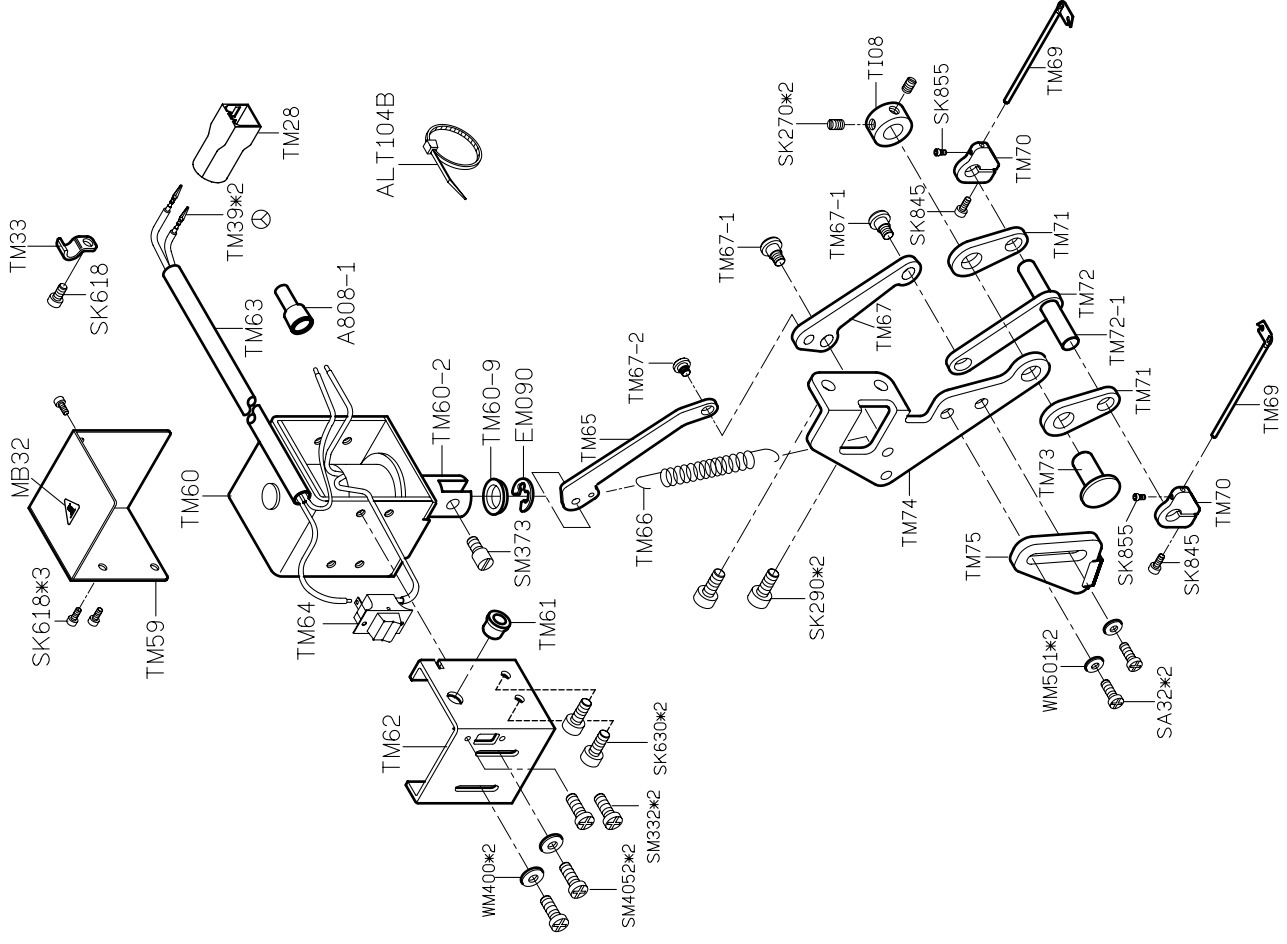
MODEL	T828-42/45	T828-47/48	T828-72/75
	M	L	H
PARTS NO	TM94	TM94	TM94
	TM94	TM97	TM94



# PARTS LIST FOR TM GROUP

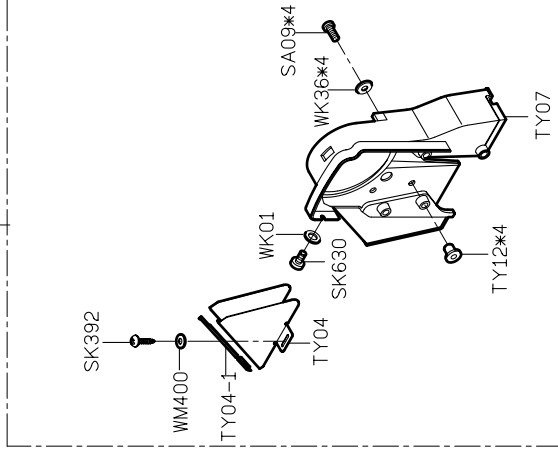


YU66-A1

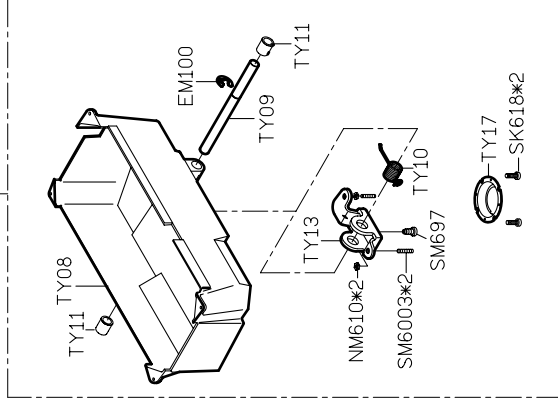




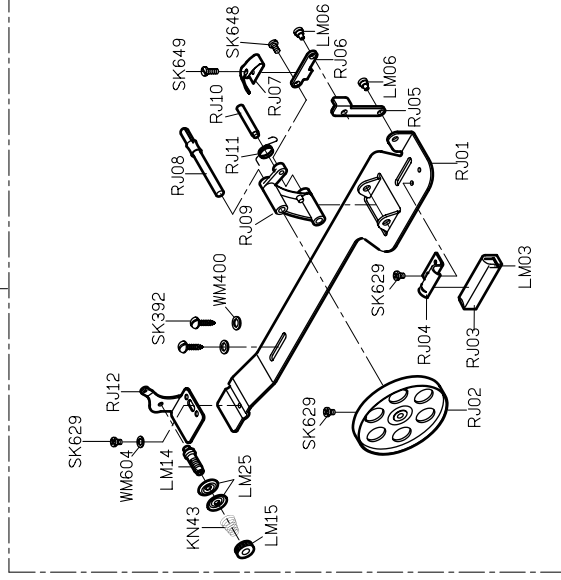
### 07 手輪護蓋



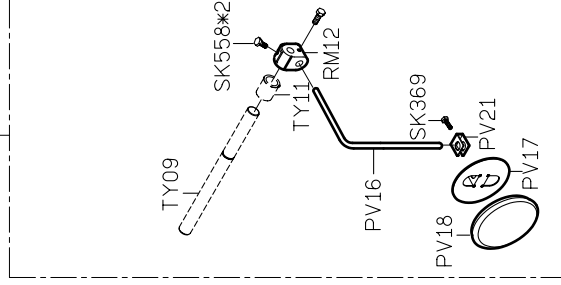
### 08-A 油盤



### RJ01-A 繞線器



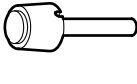
### PV16-A1 腳弓



01 說明書



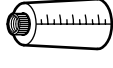
14 押具提昇軸



15\*4 防震橡膠墊



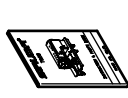
16 油壺



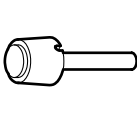
MY01 防塵罩



MY11 六角板手



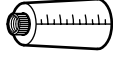
MY13 六角板手



GXXX\*4 梭子



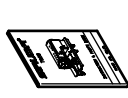
KY02-A 油罐



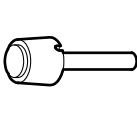
KY03 油壺



KY09 開口板手



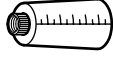
KY10 六角板手



KY16 一字起子



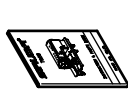
KY17 一字起子



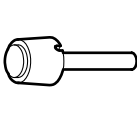
KY26F 工具袋



KZ03 乾燥劑



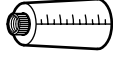
PY05\*4 鐵釘



LY01 開口板手



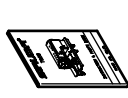
LY02 木頭桿



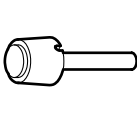
針\*4



LY04\*2 後鈕墊



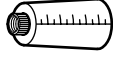
LY05\*2 後鈕



☆103D 切刀



TY02 零件圖



☆TP156 使用說明書

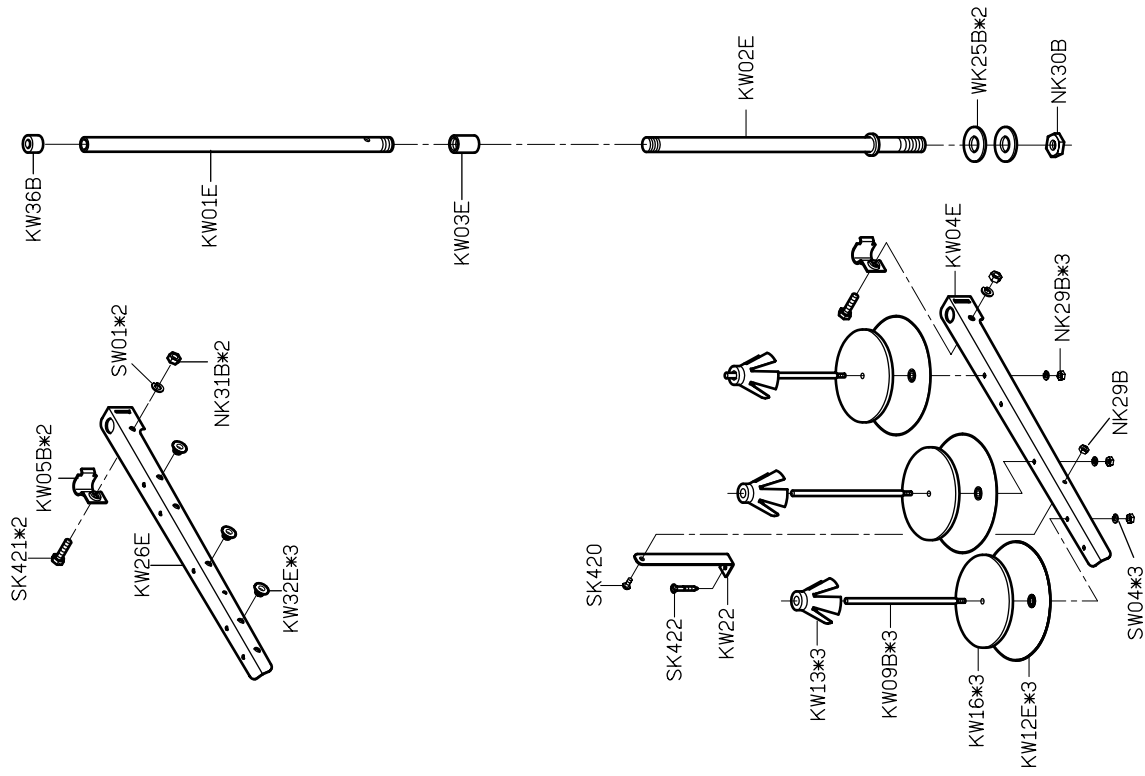


MODEL	T828-42		T828-45		T828-47		T828-48		T828-72		T828-75	
	M	H	M	H	L	L	L	L	M	H	M	H
PARTS NO	G307	G307	G307	G307	G307	G307	G307	G307	G310	G310	G310	G310
	KY17	KY17	KY14	KY14	KY17	KY14	KY14	KY17	KY17	KY17	KY14	KY14
	DPX5#14	DPX5#22	DPX5#14	DPX5#22	DPX5#11	DPX5#11	DPX5#11	DPX5#11	DPX5#14	DPX5#22	DPX5#14	DPX5#22



# PARTS LIST FOR THREAD STAND GROUP

PY11-3





# T828/T828 WITH TRIMMER

高林股份有限公司 KAULIN MFG. CO., LTD.